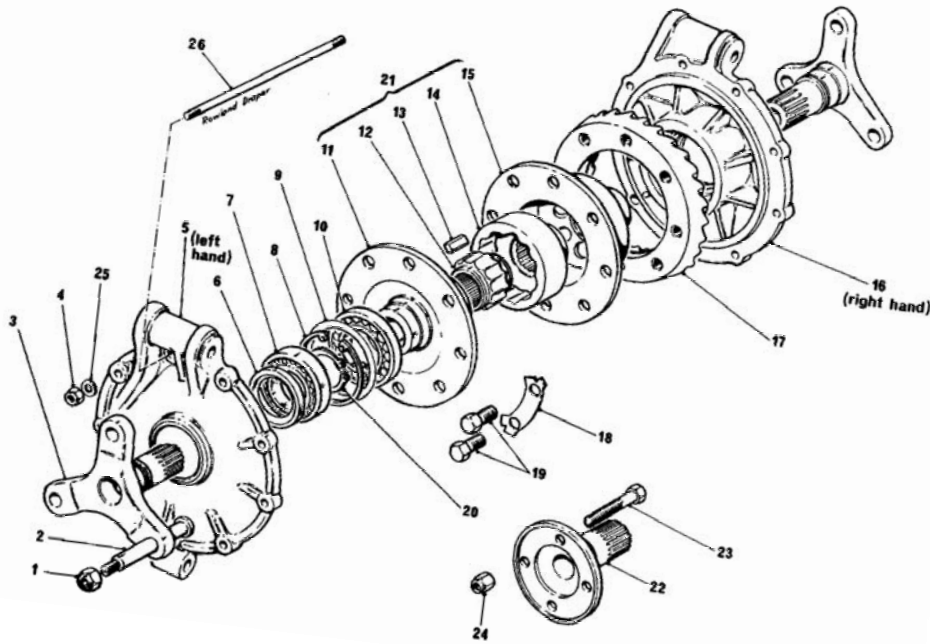
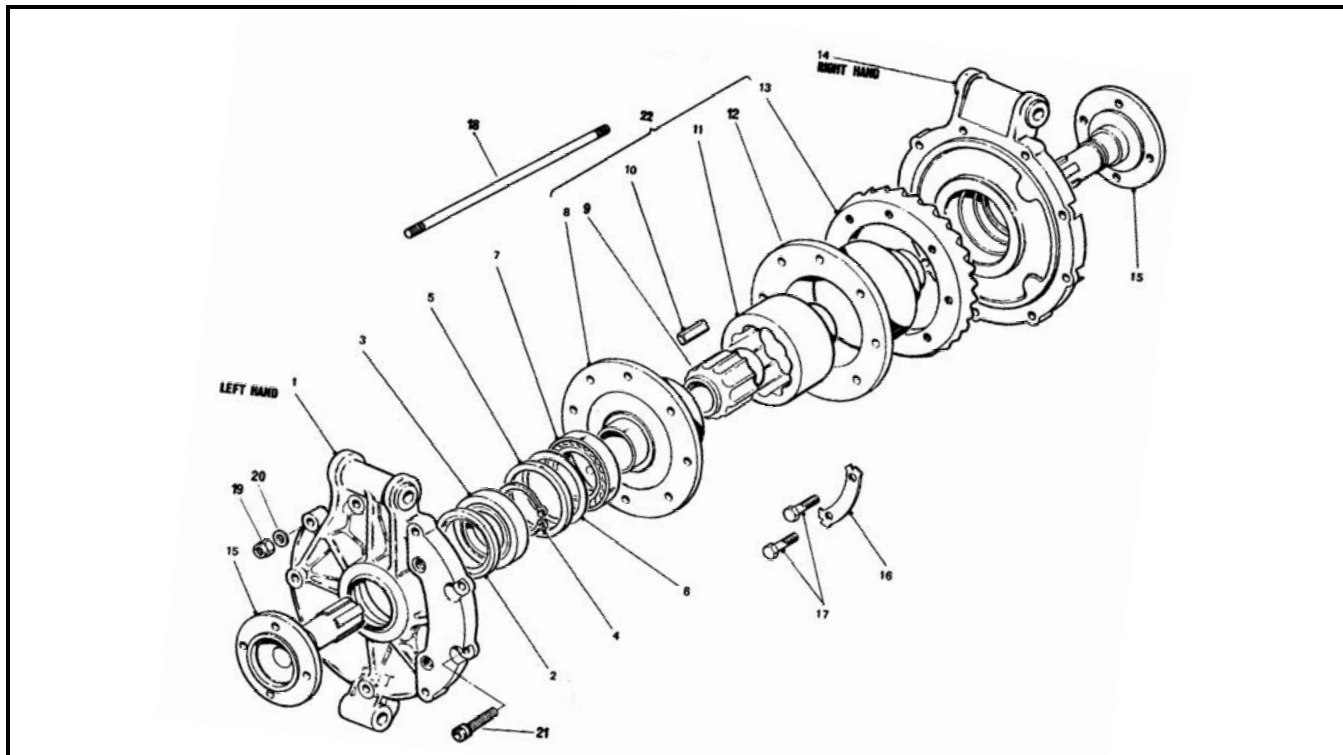


FT200 Differential Assembly—Outboard Brakes



ITEM NUMBER	WRD NUMBER	HEWLAND NUMBER	DESCRIPTION	PRICE
1	WRD-SIN-197	HFT2195	7/16" NYLOCK	\$0.75
4	WRD-SIN-198	HFT2013	5/16" NYLOCK	\$0.25
6	WRD-SIN-075	HFT2054	SEAL	\$6.50
7	WRD-SIN-077	HFT2053	BEARING	\$75.00
8	WRD-SIN-079	HFT2052	CIRCLIP	\$4.25
9	WRD-SIN-084A	HFT2061-003	SIDE COVER SHIM .003	\$12.00
9	WRD-SIN-084B	HFT2061-005	SIDE COVER SHIM .005	\$12.00
9	WRD-SIN-084C	HFT2061-008	SIDE COVER SHIM .008	\$12.00
9	WRD-SIN-084D	HFT2061-010	SIDE COVER SHIM .010	\$12.00
9	WRD-SIN-084E	HFT2061-015	SIDE COVER SHIM .015	\$12.00
9	WRD-SIN-084F	HFT2061-020	SIDE COVER SHIM .020	\$12.00
9	WRD-SIN-084G	HFT2061-025	SIDE COVER SHIM .025	\$12.00
10	WRD-SIN-199	HFT2051	BEARING	\$60.00
11	WRD-HL-FT214	HFT214	PLUNGER CARRIER	\$872.00
12	WRD-HL-FT216	HFT216	INNER CAM TRACK	\$418.00
13	WRD-HL-FT217	HFT217	PLUNGER	\$37.00
14	WRD-HL-FT215	HFT215	OUTER CAM TRACK	\$739.00
15	WRD-HL-FT213	HFT213	OUTER HOUSING	\$655.00
17	WRD-HL-FT221	HFT221	7:31 RING & PINION	\$1,571.00
17	WRD-HL-FT221A	HFT221-A	9:31 RING & PINION	\$1,571.00
17	WRD-HL-FT221B	HFT221-B	8:31 RING & PINION	\$1,571.00
17	WRD-HL-FT221C	HFT221-C	10:31 RING & PINION	\$1,571.00
17	WRD-HL-FT221M	HFT221-M	13:36 RING & PINION	\$1,571.00
18	WRD-HL-FT221P	HFT221-P	9:35 RING & PINION	\$1,571.00
19	WRD-SIN-014	HVG2211	CROWNWHEEL BOLT	\$8.00
20	WRD-SIN-081	HFT2191A	CIRCLIP	\$1.50
21	WRD-HL-FT212	HFT212	LIMITED SLIP DIFF.	\$2,680.00
23		HFT2193	BOLT, DRIVE SHAFT	\$5.00
24	WRD-SIN-200	HFT2196	NUT	\$0.75
25	WRD-SIN-007	HFT2027	5/16" WASHER	\$0.05
26	WRD-HL-FT262A	HFT262A	TIE BAR	\$33.00

FT200 Differential Assembly—Inboard Brakes



ITEM NUMBER	WRD NUMBER	HEWLAND NUMBER	DESCRIPTION	PRICE
1	WRD-HL-FT205D	HFT205-D	LH SIDE PLATE (RALT RT4)	\$985.00
2	WRD-SIN-075	HFT2054	SEAL	\$6.50
3	WRD-SIN-078	HFT2053A	BEARING	\$22.50
4	WRD-SIN-081	HFT2191A	CIRCLIP, HSI, NMT	\$1.50
5	WRD-HL-FT2052A	HFT2052A	SPACER	\$76.00
5	WRD-HL-FT2062A	HFT2062A	SPACER RH	\$76.00
6	WRD-SIN-084A	HFT2061-003	SIDE COVER SHIM .003	\$2.25
6	WRD-SIN-084B	HFT2061-005	SIDE COVER SHIM .005	\$2.25
6	WRD-SIN-084C	HFT2061-008	SIDE COVER SHIM .008	\$2.25
6	WRD-SIN-084D	HFT2061-010	SIDE COVER SHIM .010	\$2.25
6	WRD-SIN-084E	HFT2061-015	SIDE COVER SHIM .015	\$2.25
6	WRD-SIN-084F	HFT2061-020	SIDE COVER SHIM .020	\$2.25
6	WRD-SIN-084G	HFT2061-025	SIDE COVER SHIM .025	\$2.25
7	WRD-SIN-199	HFT2051	BEARING	\$32.00
8	WRD-HL-FT214	HFT214	PLUNGER CARRIER	\$872.00
9	WRD-HL-FT216	HFT216	INNER CAM TRACK	\$418.00
10	WRD-HL-FT217	HFT217	PLUNGER	\$37.00
11	WRD-HL-FT215	HFT215	OUTER CAM TRACK	\$739.00
12	WRD-HL-FT213	HFT213	OUTER HOUSING	\$655.00
13	WRD-HL-FT221	HFT221	7:31 RING & PINION	\$1,571.00
13	WRD-HL-FT221A	HFT221-A	9:31 RING & PINION	\$1,571.00
13	WRD-HL-FT221B	HFT221-B	8:31 RING & PINION	\$1,571.00
13	WRD-HL-FT221C	HFT221-C	10:31 RING & PINION	\$1,571.00
13	WRD-HL-FT221M	HFT221-M	13:36 RING & PINION	\$1,571.00
13	WRD-HL-FT221P	HFT221-P	9:35 RING & PINION	\$1,571.00
14	WRD-HL-FT206D	HFT206-D	RH SIDE PLATE (RALT RT4)	\$985.00
16	WRD-HL-FT2212	HFT2212	TAB WASHER	\$10.00
17	WRD-SIN-014	HVG2211	CROWNWHEEL BOLT	\$8.00
18	WRD-HL-FT262A	HFT262A	TIE BAR	\$33.00
19	WRD-SIN-198	HFT2013	5/16" NYLOCK	\$0.25
20	WRD-SIN-007	HFT2027	5/16" WASHER	\$0.05
21	WRD-SIN-201	HFT2012B	SCREW	\$1.25
22	WRD-HL-FT212	HFT212	LIMITED SLIP DIFF.	\$2,680.00