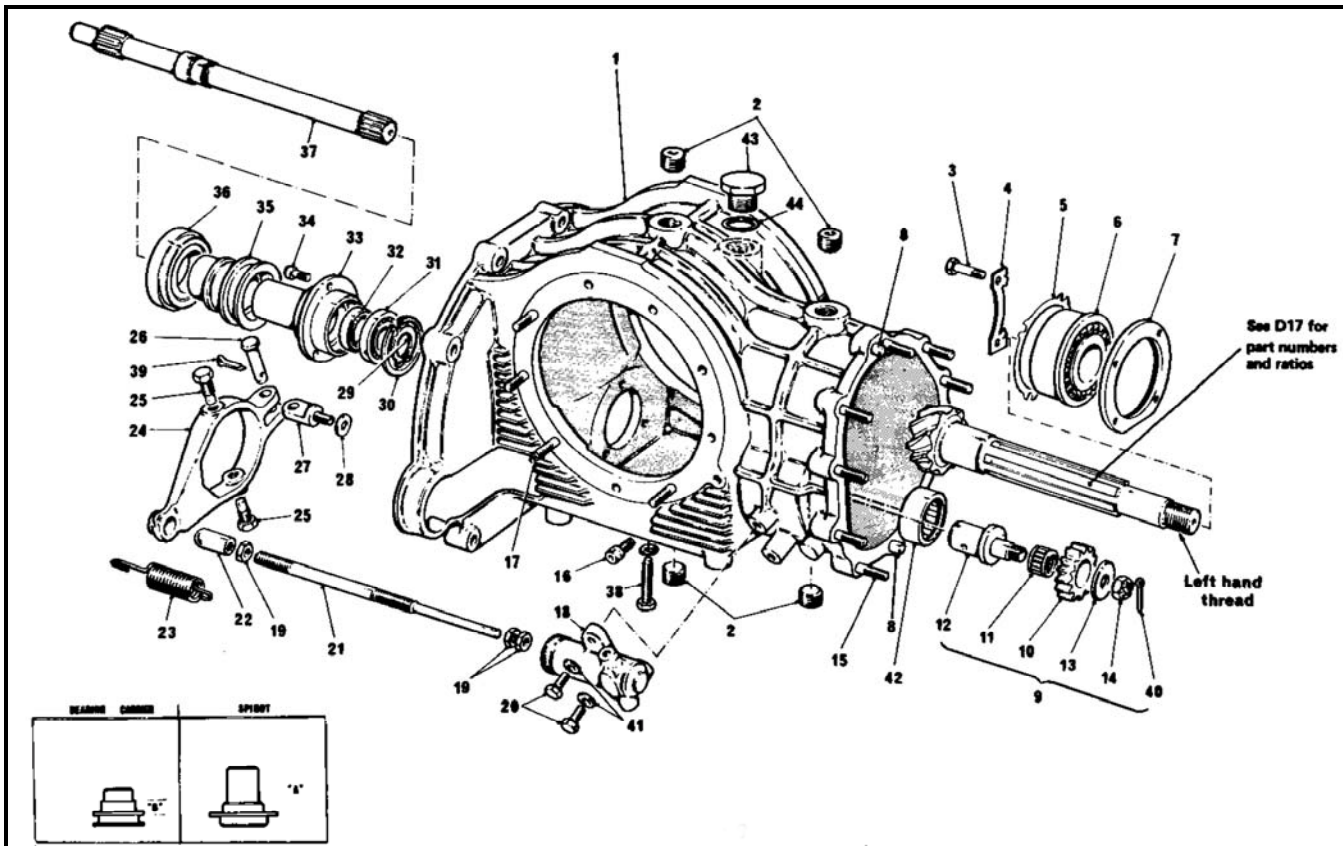


## Hewland FT200 Maincase Assembly



<b>ITEM NUMBER</b>	<b>WRD NUMBER</b>	<b>HEWLAND NUMBER</b>	<b>DESCRIPTION</b>	<b>PRICE</b>
1	WRD-HL-FT201	HFT201	MAINCASE	\$5,300.00
2	WRD-HL-FT2011	HFT2011	PLUG	\$14.00
3	WRD-SIN-172	HFT2251	BOLT	\$0.75
4	WRD-HL-FT2252	HFT2252	TAB WASHER, PINION BEARING.	\$14.00
4	WRD-HL-FT2252A	HFT2252MA	TAB WASHER 7 HOLE	\$12.00
4	WRD-HL-FT2252B	HFT2252MB	TAB WASHER 7 HOLE	\$12.00
5	WRD-HL-FT2253	HFT2253	PINION SHIM, 4 BOLT HOLE - VARIOUS	\$12.00
5	WRD-HLFT22537	HFT2253-7	PINION SHIM, 7 BOLT HOLE - VARIOUS	\$12.00
6	WRD-SIN-105	HFT2221HB	PINION BEARING	\$65.00
7	WRD-HL-FT225	HFT225	CLAMP PLATE	\$218.00
7	WRD-HL-FT2257	HFT225-7	CLAMP PLATE, 7 BOLT MOUNTING	\$218.00
8	WRD-SIN-173	HFT2015	DOWEL	\$9.00
10	WRD-HL-FT2371	HFT2371	REVERSE IDLER GEAR	\$169.00
11	WRD-SIN-174	HFT2372	BEARING	\$20.00
12	WRD-HL-FT2373	HFT2373	SPIGOT	\$148.00
13	WRD-HL-FT2374	HFT2374	WASHER, REV. IDLER	\$67.00
14	WRD-SIN-175	HFT2375	NUT	\$3.75
15	WRD-SIN-176	HFT2014	STUD	\$2.25
16	WRD-SIN-177	HFT2376	RETAINER	\$13.00



**To Order Please Call - 1 858 578 1044 or Cell - 1 858 220 0927**  
**Fax - 1 858 578 4101, E-mail : sales@willrace.com**  
**Prices subject to change without notice**

17	WRD-SIN-178	HFT2012	STUD	\$2.25
17	WRD-SIN-179	HFT2012A	STUD	\$2.25
17	WRD-SIN-180	HFT2012B	STUD	\$0.75
18	WRD-SIN-129	HFT2582	SLAVE CYLINDER	\$116.00
19	WRD-SIN-181	HFT2581	NUT	\$0.25
20	WRD-SIN-182	HFT2583	BOLT	\$0.50
21	WRD-HL-FT258	HFT258	PUSH ROD	\$67.00
22	WRD-HL-FT259	HFT259	NOSE PIECE	\$37.00
23	WRD-SIN-183	HFT2584	SPRING	\$12.00
24	WRD-HL-FT254	HFT254	CLUTCH FORK	\$308.00
25	WRD-SIN-184	HFT256	BOLT - SWIVEL	\$20.00
26	WRD-SIN-185	HFT257	CLEVIS PIN	\$11.50
27	WRD-HL-FT255	HFT255	PIVOT	\$206.00
29	WRD-SIN-186	HFT2390	CIRCLIP	\$0.75
30	WRD-SIN-187	HFT24410	CIRCLIP	\$1.25
31	WRD-SIN-188	HFT24412	BEARING	\$22.00
32	WRD-SIN-189	HFT24411A	OIL SEAL	\$24.00
33	WRD-HL-FT2441	HFT2441	SPIGOT 2.25	\$296.00
34	WRD-SIN-190	HFT24413	SCREW	\$0.25
35	WRD-HL-FT2450	HFT2450	BEARING CARRIER	\$284.00
36	WRD-SIN-191	HFT245-A	THROW-OUT BEARING	\$116.00
37			CLUTCH SHAFT	CALL
38	WRD-SIN-192	HFT2342	BOLT BEARING RETAINER	\$13.00
39	WRD-SIN-193	HFT2377	SPLIT PIN	\$0.25
41	WRD-SIN-194	HFT2585	WASHER	\$0.05
42	WRD-SIN-195	HFT2291	BEARING	\$76.00
43	WRD-HL-TL2011	HFL2011	INSPECTION PLUG	\$40.00
44	WRD-SIN-196	HFGB2018	DOWTY WASHER, NST, NMT	\$4.32