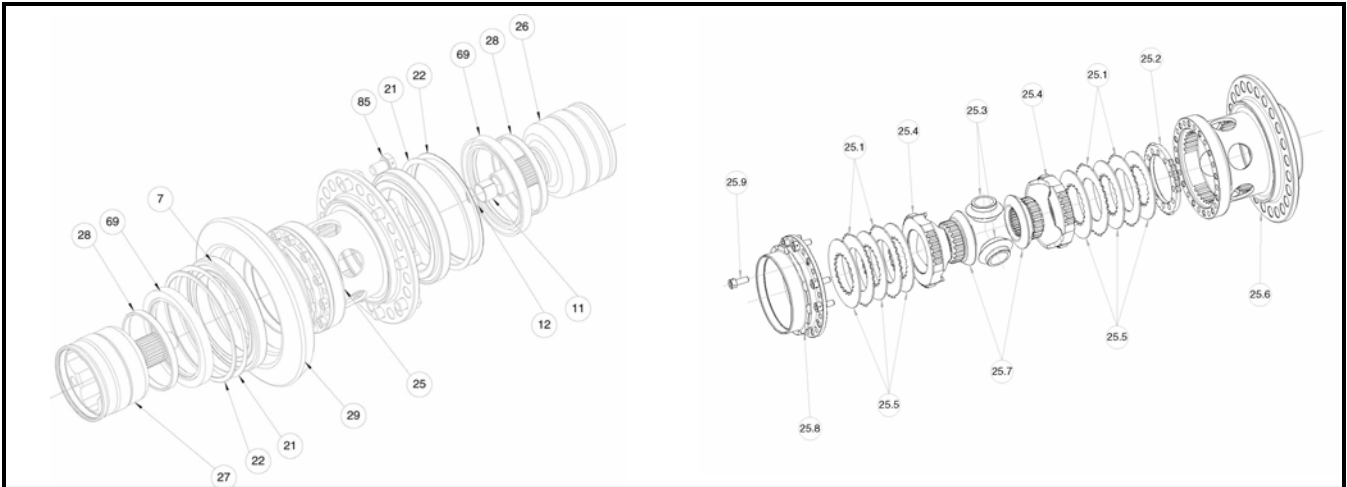


## Hewland FTR Powerflow Differential Parts



ITEM NUMBER	WRD NUMBER	HEWLAND NUMBER	DESCRIPTION	PRICE
7	WRD-HL-BEA171	BEA-171	DIFFERENTIAL BEARING	\$210
11	WRD-SIN-011	D16607A	BUSH	\$16.00
12	WRD-SIN-012	D16609	WIRE RING	\$5.75
21	WRD-HL-FTR2051-A	HFTR2051-003	SIDEPLATE SHIM - 003"	\$8.00
22	WRD-HL-FTR2051-B	HFTR2051-005	SIDEPLATE SHIM - 005"	\$9.00
23	WRD-HL-FTR2051-C	HFTR2051-008	SIDEPLATE SHIM - 008"	\$10.00
24	WRD-HL-FTR2051-D	HFTR2051-010	SIDEPLATE SHIM - 010"	\$11.00
25	WRD-HL-FTR2051-E	HFTR2051-015	SIDEPLATE SHIM - 015"	\$12.00
26	WRD-HL-FTR2051-F	HFTR2051-020	SIDEPLATE SHIM - 020"	\$13.00
22	WRD-HL-FTR2052	HFTR-205-2	SIDEPLATE BEARING SPACER	\$72.00
25	WRD-HL-FTR212	HFTR212	POWERFLOW DIFFERENTIAL FTR	\$2,850.00
26	WRD-HL-FTR2181	HFTR2181	TRIPOD JOINT OUTER	\$871.00
27	WRD-HL-FTR2182	HFTR2182	TRIPOD JOINT OUTER RH	\$871.00
27	WRD-HL-FTR218FD	HFTR218FD	TRIPOD JOINT OUTER FREE DIFF	\$871.00
28	WRD-HL-FTR2183	HFTR2183	TRIPOD BEARING RING	\$44.00
29	WRD-HL-FTR221-1234	HFTR221-1234	RING AND PINION 12:34	\$1,835.00
29	WRD-HL-FTR221-931	HFTR221-931	RING AND PINION 9:31	\$1,835.00
29	WRD-HL-FTR221-935	HFTR221-935	RING AND PINION 9:35	\$1,835.00
69	WRD-SIN-013	LIP-042	SEAL STUB AXLE	\$16.25
85	WRD-SIN-014	VG221-1C	RING GEAR BOLT	\$8.00

ITEM NUMBER	WRD NUMBER	HEWLAND NUMBER	DESCRIPTION	PRICE
25.1	WRD-HL-FTC21310	HFTC21310	CLUTCH PLATE	\$82.00
25.2	WRD-HL-FTC2133	HFTC2133	SPACER	\$122.00
25.3	WRD-HL-2135AF	HFTC2135AF	PLANET GEAR NST,BMW FTR	\$157.00
25.4	WRD-HL-FTC2137-A	HFTC2137-30X60	DIFF RAMPS (PAIR) 30X60	\$977.00
25.4	WRD-HL-FTC2137-B	HFTC2137-30X80	DIFF RAMPS (PAIR) 30X80	\$977.00
25.4	WRD-HL-FTC2137-C	HFTC2137-45X45	DIFF RAMPS (PAIR) 45X45	\$977.00
25.4	WRD-HL-FTC2137-D	HFTC2137-45X80	DIFF RAMPS (PAIR) 45X80	\$977.00
25.4	WRD-HL-FTC2137-E	HFTC2137-60X70	DIFF RAMPS (PAIR) 60X70	\$977.00
25.4	WRD-HL-FTC2137-F	HFTC2137-60X80	DIFF RAMPS (PAIR) 60X80	\$977.00
25.4	WRD-HL-FTC2137-G	HFTC2137-80X80	DIFF RAMPS (PAIR) 80X80	\$977.00
25.5	WRD-HL-FTC2138	HFTC2138	CORE PLATE	\$82.00
25.6	WRD-HL-FTR213	HFTR213	DIFF CASE - POWERFLOW	
25.7	WRD-HL-FTR2136	HFTR2136	POWERFLOW SIDE GEAR	
25.7	WRD-HL-FTR2136F	HFTR2136F	POWERFLOW SIDE GEAR	
25.8	WRD-HL-FTR214	HFTR214	END CAP - POWERFLOW	