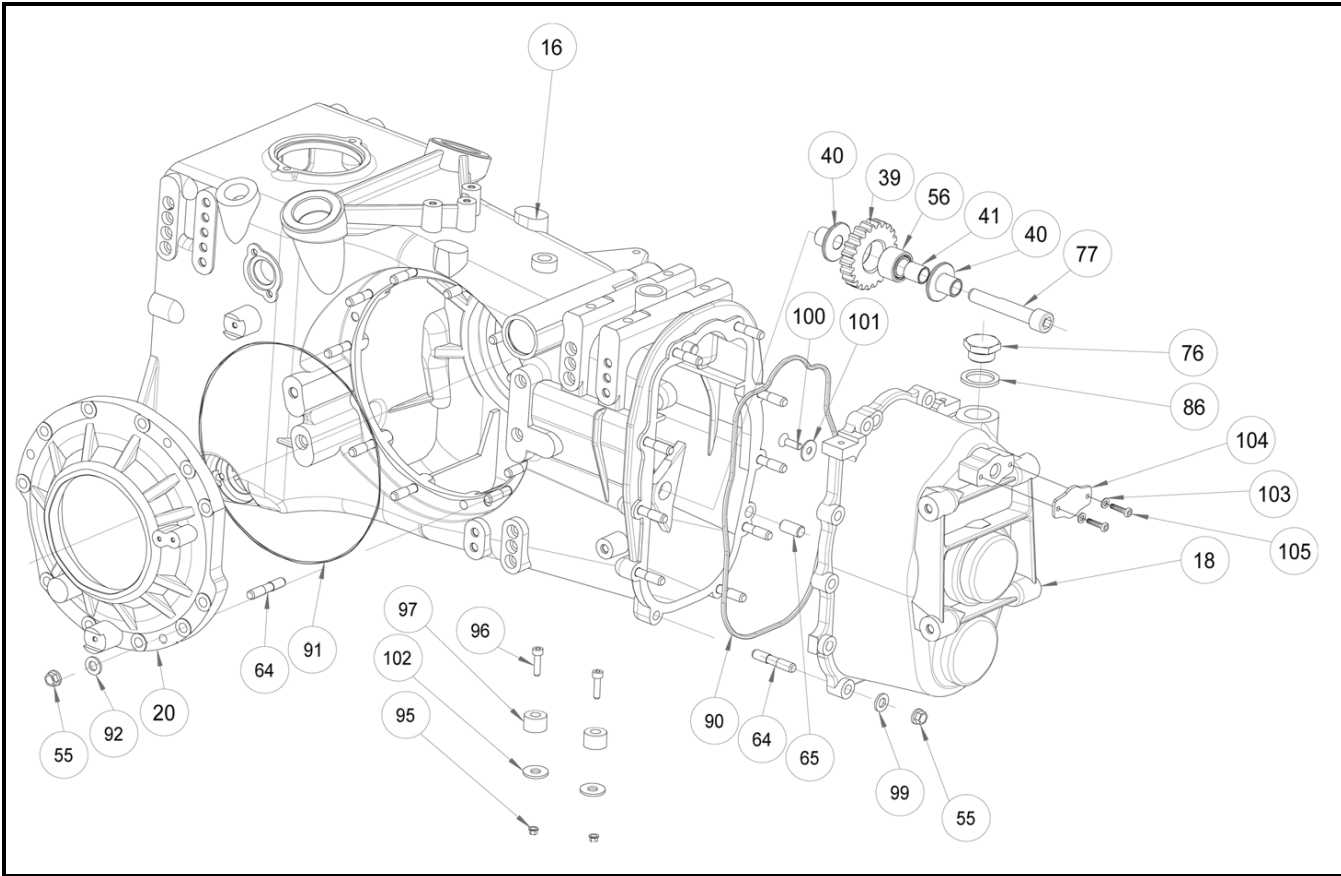


Hewland FTR Maincase Parts



ITEM NUMBER	WRD NUMBER	HEWLAND NUMBER	DESCRIPTION	PRICE
16	WRD-HL-FTR201	HFTR201	MAINCASE	\$3,816.00
18	WRD-HL-FTR202	HFTR202	BEARING CARRIER	\$763.00
18	WRD-HL-FTR202A	HFTR202A	BEARING CARRIER, NEW STYLE	\$763.00
20	WRD-HL-FTR205	HFTR205	SIDE PLATE	\$580.00
39	WRD-HL-FTR237	HFTR237	REVERSE IDLER GEAR	\$186.00
40	WRD-HL-FTR2371	HFTR2371	REV IDLER SPIGOT	\$140.00
41	WRD-HL-FTR2372	HFTR2372	SLEEVE	\$78.00
55	WRD-SIN-001	NUT-004	8mm LOCKNUT	\$1.50
56	WRD-SIN-002	HC237-2	BEARING - REVERSE IDLER	\$35.00
64	WRD-SIN-003	STU-073	STUD-SIDEPLATE/Rr COVER	\$2.25
65	WRD-SIN-004	LD201-5	DOWEL	\$7.50
76	WRD-HL-PLU030	PLU-030	PLUG-OIL FILL	\$49.50
77	WRD-SIN-005	SCR-117	REVERSE IDLER BOLT	\$6.75
86	WRD-SIN-006	WSH-010	DOWTY WASHER	\$2.50
92	WRD-SIN-007	F3D-236-1	8mm WASHER	\$0.05
95	WRD-SIN-008	NUT-007	MAGNET NUT	\$1.50
96	WRD-SIN-009	HC96-203-18	MAGNET BOLT	\$2.50
97	WRD-SIN-010	VG-201-1A	MAGNET	\$30.00