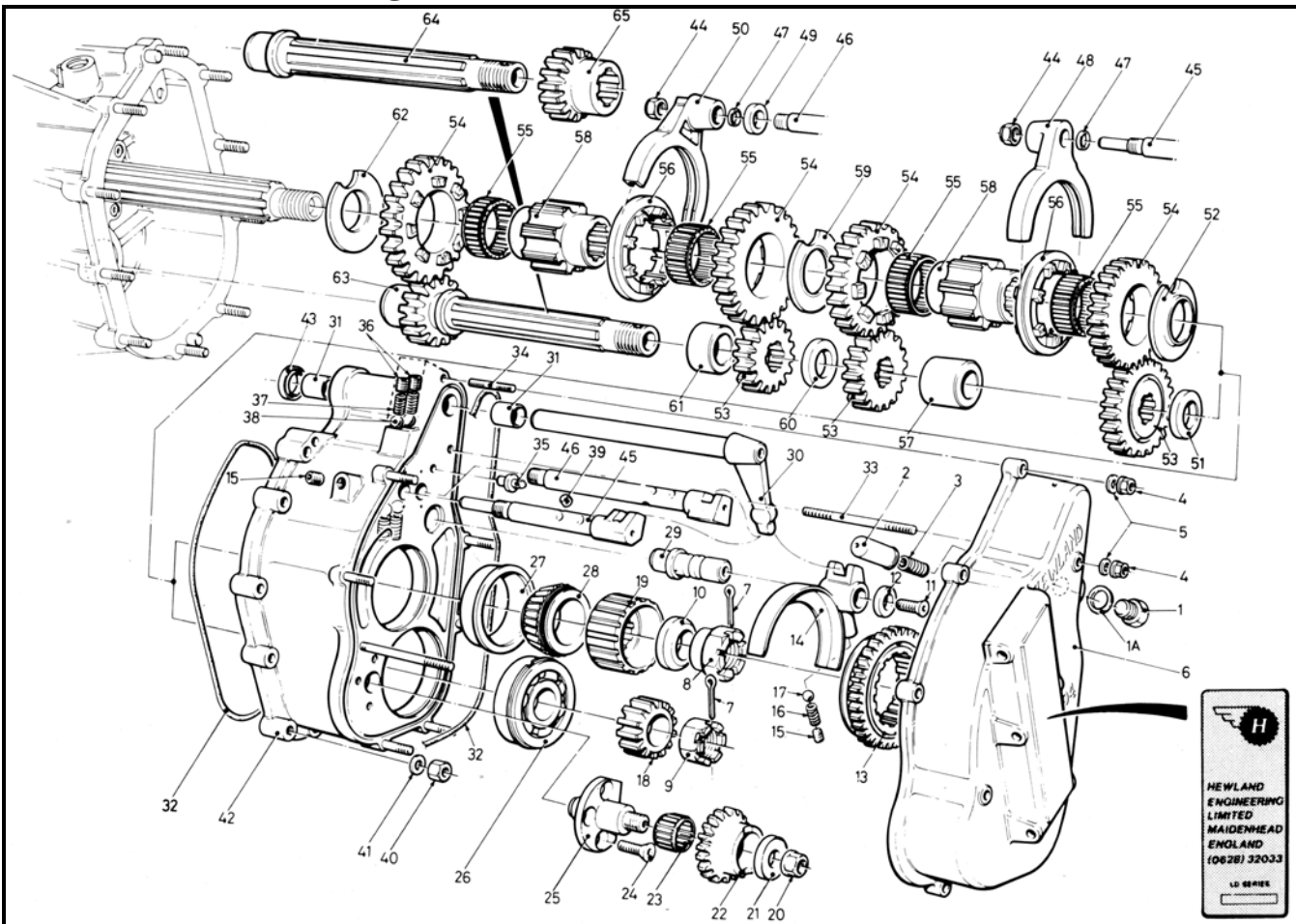


## Hewland LD200 Bearing Carrier Assembly - 4 Speed



ITEM NUMBER	WRD NUMBER	HEWLAND NUMBER	DESCRIPTION	PRICE
1	WRD-HL-FT2035	HFT2035	PLUG	\$17.00
1	WRD-WEB-047	HFT2035	PLUG - WEBSTER	\$13.30
1A	WRD-SIN-152	HLD2037	DOWTY WASHER	\$4.00
2	WRD-HL-LD2030	HLD2030	PLUNGER	\$52.00
2	WRD-WEB-050	HLD2030	PLUNGER - WEBSTER	\$20.00
3	WRD-SIN-153	HFT2032	SPRING	\$2.25
4	WRD-SIN-154	HLD20210	6mm NYLOCK NUT	\$0.25
5	WRD-SIN-155	HLD2029	6mm WASHER	\$0.05
6	WRD-HL-LD204	HLD204	END COVER	\$253.00
6	WRD-WEB-051	HLD204	END COVER - WEBSTER	\$247.00
7	WRD-SIN-156	HFT2301	SPLIT PIN	\$0.25
8	WRD-SIN-157	HFT230	NUT	\$67.00
9	WRD-HL-LD236	HLD236	NUT, LAYSHAFT	\$67.00
10	WRD-HL-LD2301	HLD2301	SPACER	\$91.00
10	WRD-HL-LD2301W	HLD2301W	SPACER - WIDE GEARS	\$30.00
11	WRD-SIN-158	HLD2534	COUNTERSUNK SCREW	\$0.25
12	WRD-HL-LD2533	HLD2533	STOP WASHER	\$27.00
13	WRD-HL-C84231HB	HHC8-4-231HB	REVERSE SLIDING GEAR	\$258.00
13	WRD-WEB-015	HHC8-4-231HB	REVERSE SLIDING GEAR - WEBSTER	\$126.67



**To Order Please Call - 1 858 578 1044 or Cell - 1 858 220 0927**  
**Fax - 1 858 578 4101, E-mail : sales@willrace.com**  
**Prices subject to change without notice**

14	WRD-HL-LD253	HLD253	SELECTOR FORK, REVERSE	\$189.00
15	WRD-SIN-159	HFT2028	PLUG	\$1.25
16	WRD-SIN-160	HFGA6-2034	SPRING	\$6.48
17	WRD-SIN-161	HFT2033	BALL	\$0.50
18	WRD-HL-LD238	HLD238	REVERSE INPUT GEAR	\$125.00
19	WRD-HL-LD228	HLD228	HUB	\$287.00
20	WRD-SIN-162	HVG2375	NUT-REVERSE IDLER	\$3.75
21	WRD-HL-FT2374	HFT2374	WASHER, REV. IDLER	\$67.00
22	WRD-HL-LD2371	HLD2371	REVERSE IDLER GEAR	\$142.00
23	WRD-SIN-163	HLD2372	REVERSE IDLER BEARING	\$19.50
24	WRD-SIN-164	HF3-2378	SCREW, REV. IDLER SPIGOT	\$0.75
25	WRD-HL-LD2373	HLD2373	REVERSE IDLER SPIGOT	\$137.00
26	WRD-SIN-165	HLD2343	BEARING	\$23.50
27	WRD-HL-LD2291A	HLD2291A	OUTER TRACK, PINION TAIL BEARI	\$169.00
28	WRD-SIN-166	HLD2291B	PINION TAIL BEARING	\$19.00
29	WRD-HL-LD2531	HLD2531	REVERSE SELECTOR ARM SHAFT	\$148.00
30	WRD-HL-LD252	HLD252	SELECTOR FINGER	\$218.00
31	WRD-SIN-061	HFT2036	BUSHING	\$3.00
32	WRD-SIN-167	HVG2019	D' RING SEAL	\$3.50/FT
33	WRD-SIN-168	HLD2026	STUD, LONG	\$2.75
34	WRD-SIN-169	HLD2025	STUD, SHORT	\$1.85
35	WRD-HL-LD20213	HLD20213	GUIDE PIN	\$28.00
36	WRD-SIN-059	HFT2023	PLUG	\$1.50
37	WRD-SIN-057	HLD2022	SPRING	\$5.00
38	WRD-SIN-058	HFT2021	STEEL BALL	\$1.50
39	WRD-SIN-059	HFT2024	INTERLOCK	\$29.00
40	WRD-SIN-060	HHC2013A	8mm NYLOC NUT	\$0.25
41	WRD-SIN-007	HFT2027	5/16" WASHER	\$0.05
42	WRD-HL-LD202	HLD202	BEARING CARRIER	\$1,309.00
43	WRD-SIN-171	HFT2037S	OIL SEAL, LATE FT BOX	\$4.00
44	WRD-SIN-065	HFT2462	NUT	\$1.50
45	WRD-HL-LD247	HLD247	SELECTOR ROD, 3RD/4TH	\$209.00
46	WRD-HL-LD246	HLD246	SELECTOR ROD, 1ST/2ND	\$209.00
47	WRD-SIN-172(X)	HFT2463	FORK SHIM	\$1.50
48	WRD-HL-LD250	HLD250	SELECTOR FORK, 3RD/4TH	\$229.00
49	WRD-SIN-066	HLD2464	STOP SELECTOR	\$21.00
50	WRD-HL-LD249	HLD249	SELECTOR FORK, 1ST/2ND	\$229.00
51	WRD-HL-LD2345	HLD2345	SPACER-LAYSHAFT TAIL	\$91.00
51	WRD-HL-LD2345W	HLD2345W	SPACER-LAYSHAFT TAIL WIDE GEARS	\$91.00
52	WRD-HL-LD229	HLD229	INNER TRACK	\$105.00
52	WRD-HL-LD229W	HLD229W	INNER TRACK - WIDE GEARS	\$105.00
53		HLD235	GEARS	PAGE 35
54		HLD234	GEARS	PAGE 35
55		HLD2261	BEARING	\$19.00
56	WRD-HL-LD232	HLD232	CLUTCH RING	\$205.00
56	WRD-WEB-052	HLD232	CLUTCH RING - WEBSTER	\$119.00
56	WRD-CMW-	HLD232	CLUTCH RING - CMW MANUFACTURE	\$87.50
57	WRD-HL-LD2348	HLD2348	SPACER	\$52.00
57	WRD-HL-LD2348W	HLD2348A-W	SPACER	\$59.00
58	WRD-HL-LD227	HLD227	HUB	\$319.00
59	WRD-HL-LD2294	HLD2294	SPACER	\$76.00
59	WRD-HL-LD2294W	HLD2294W	SPACER - WIDE GEARS	\$102.00
60	WRD-HL-LD2347	HLD2347	SPACER	\$52.00
61	WRD-HL-LD2346	HLD2346	SPACER	\$52.00
61	WRD-HL-LD2346W	HLD2346-W	SPACER	\$54.00
62	WRD-HL-LD2263	HLD2263	SPACER	\$113.00
62	WRD-HL-LD2263W	HLD2263W	SPACER - WIDE GEARS	\$117.00
63		HLD234	LAYSHAFT, FIXED FIRST	PAGE 35
64	WRD-HL-LD234A	HLD234A	LAYSHAFT, BARE	\$310.00
65		HLD2351	SLIDE ON FIRST GEAR	PAGE 35