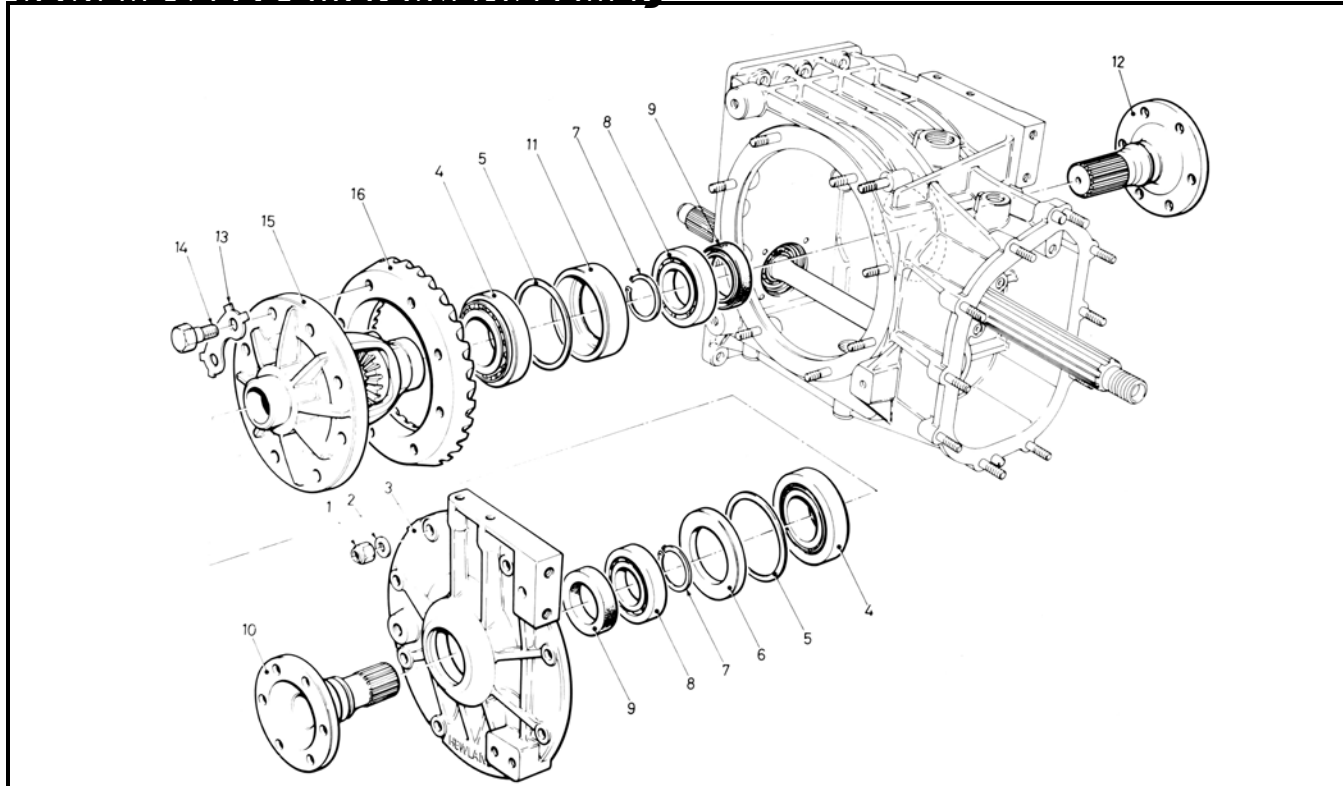


## Hewland LD200 Differential Assembly



| ITEM NUMBER | WRD NUMBER     | HEWLAND NUMBER | DESCRIPTION              | PRICE     |
|-------------|----------------|----------------|--------------------------|-----------|
| 1           | WRD-SIN-060    | HHC2013A       | 8mm NYLOC NUT            | \$0.25    |
| 2           | WRD-SIN-007    | HFT2027        | 5/16" WASHER             | \$0.05    |
| 3           | WRD-HL-LD205   | HLD205         | LH SIDE PLATE            | \$483.00  |
| 4           | WRD-SIN-087    | HHC9-2051      | DIFFERENTIAL BEARINGS    | \$60.00   |
| 5           | WRD-SIN-085    | HHC9-2061      | SHIM                     | \$2.25    |
| 5           | WRD-SIN-085A   | HHC9-2061-003  | SIDE COVER SHIM .003     | \$2.25    |
| 5           | WRD-SIN-085B   | HHC9-2061-005  | SIDE COVER SHIM .005     | \$2.25    |
| 5           | WRD-SIN-085C   | HHC9-2061-008  | SIDE COVER SHIM .008     | \$2.25    |
| 5           | WRD-SIN-085D   | HHC9-2061-010  | SIDE COVER SHIM .010     | \$2.25    |
| 5           | WRD-SIN-085E   | HHC9-2061-015  | SIDE COVER SHIM .015     | \$2.25    |
| 5           | WRD-SIN-085F   | HHC9-2061-020  | SIDE COVER SHIM .020     | \$2.25    |
| 5           | WRD-SIN-085G   | HHC9-2061-025  | SIDE COVER SHIM .025     | \$2.25    |
| 6           | WRD-HL-LD2052  | HLD2052        | SPACER                   | \$76.00   |
| 7           | WRD-SIN-149    | HFT2191A       | CIRCLIP, HSI, NMT        | \$1.50    |
| 8           | WRD-SIN-150    | HLD2053        | BEARING, SIDE PLATE      | \$20.00   |
| 9           | WRD-SIN-151    | HLD2054        | SEAL, SIDE PLATE         | \$5.00    |
| 10          | WRD-HL-LD218L  | HLD218-LH      | LH OUTPUT SHAFT          | \$403.00  |
| 11          | WRD-HL-LD2062  | HLD2062        | SPACER                   | \$76.00   |
| 12          | WRD-HL-LD218R  | HLD218-RH      | RH OUTPUT SHAFT          | \$403.00  |
| 13          | WRD-HL-C82212  | HHC8-2212      | TAB WASHER CROWN WHEEL   | \$10.00   |
| 13          | WRD-SIN-064    |                | WASHER                   | \$0.25    |
| 14          | WRD-SIN-014    | HFT2211        | CROWNWHEEL BOLT          | \$8.00    |
| 15          | WRD-HL-C9212   | HC9212         | DIFFERENTIAL LATE        |           |
| 15          | WRD-FFC-031010 |                | 7075 ALUMINIUM DIFF BODY | \$519.75  |
| 16          |                |                | CROWNWHEEL               | SEE PREV. |