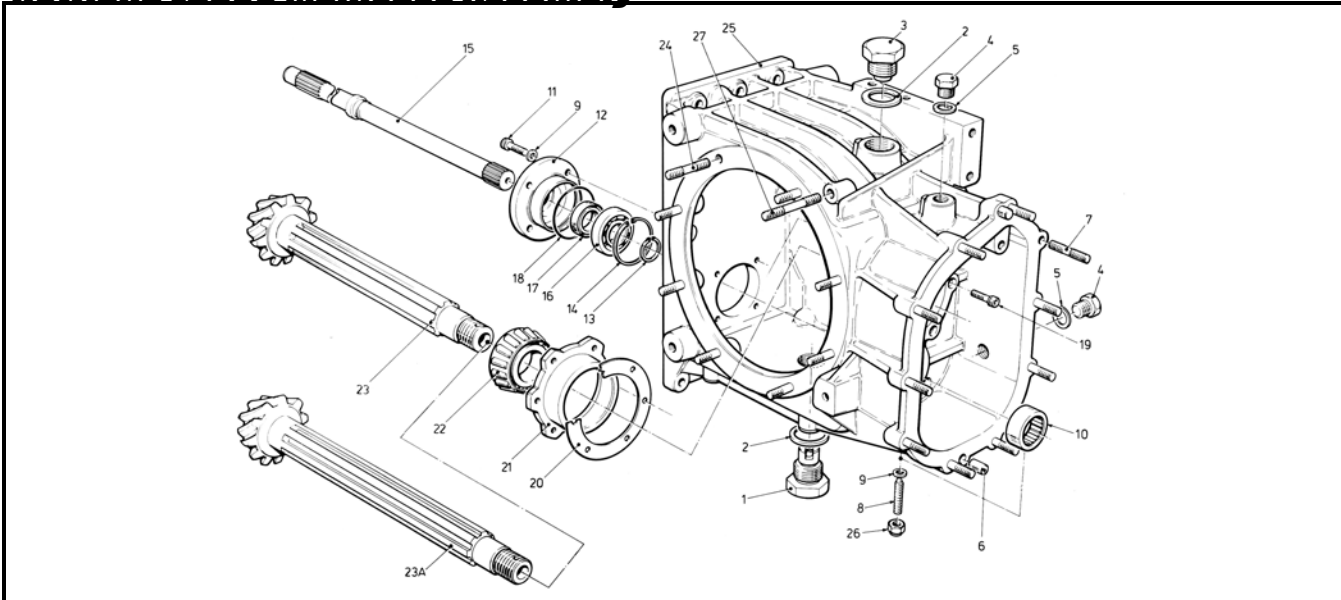


Hewland LD200 Maincase Assembly



ITEM NUMBER	WRD NUMBER	HEWLAND NUMBER	DESCRIPTION	PRICE
1	WRD-HL-VG2011	VG 201 1	DRAIN PLUG WITH MAGNET	\$75.00
2	WRD-SIN-131	HFGB2018	DOWTY WASHER, NST, NMT	\$4.00
3	WRD-HL-VG2044	VG 204 4	FILLER PLUG	\$47.50
4	WRD-WEB-047	HFT2035	PLUG WEBSTER	\$13.33
5	WRD-SIN-132	HLD2037	DOWTY WASHER	\$4.00
6	WRD-SIN-133	HLD2015	DOWEL	\$13.00
7	WRD-SIN-134	HLD2014	STUD	\$2.25
8	WRD-SIN-135	HLD2342	BEARING RETAINING BOLT	\$2.50
9	WRD-SIN-136	HLD2029	WASHER	\$0.05
10	WRD-HL-F3A2341	HF3A-2341	LAYSHAFT BEARING	\$52.00
10	WRD-HL-LD2341	HLD2341	LAYSHAFT BEARING EARLY 4 SPEED	\$52.00
11	WRD-SIN-137	HF3A-24413	SCREW, SPIGOT HOUSING	\$1.25
12	WRD-HL-LD244	HLD244	BEARING HOUSING	\$221.00
13	WRD-SIN-138	HLD2390	CIRCLIP, CLUTCH SHAFT	\$0.75
14	WRD-SIN-139	HLD24410	CIRCLIP	\$1.25
15	WRD-HL-LD239...	HLD239..	CLUTCH SHAFT	CALL
16	WRD-SIN-140	HLD24412	BEARING, USE IN LD ONLY	\$18.00
17	WRD-SIN-141	HLD24411	OIL SEAL, CLUTCH SHAFT	\$5.75
18	WRD-SIN-142	HLD24413	O-RING	\$0.75
19	WRD-SIN-143	HLD2251	CAPSCREW	\$1.25
20	WRD-SIN-144	HLD2222	PINION SHIM	\$10.00
20	WRD-SIN-144A	HLD2222-003	PINION SHIM .003	\$10.00
20	WRD-SIN-144B	HLD2222-005	PINION SHIM .005	\$10.00
20	WRD-SIN-144C	HLD2222-008	PINION SHIM .008	\$10.00
20	WRD-SIN-144D	HLD2222-018	PINION SHIM .018	\$10.00
21	WRD-HL-LD223	HLD223	PINION BEARING TRACK	\$258.00
22	WRD-SIN-145	HLD223A	PINION BEARING	\$52.00
23	WRD-HL-LD221A	HLD221-A	9:31 RING & PINION	\$1,449.00
23	WRD-HL-LD221C	HLD221-C	10:31 RING & PINION	\$1,449.00
23	WRD-WEB-048	HLD221-C	10:31 RING & PINION WEBSTER	\$1,090.00
23	WRD-HL-LD221M	HLD221-M	13:36 RING & PINION	\$1,449.00
23	WRD-WEB-049	HLD221-M	13:36 RING & PINION WEBSTER	\$1,090.00
24	WRD-SIN-146	HLD2012	STUD (SHORT)	\$2.25
25	WRD-SIN-LD201	HLD201	MAINCASE	\$1,554.00
26	WRD-SIN-147	HLD20210	NUT	\$0.25
27	WRD-SIN-148	HLD2013	STUD	\$2.25