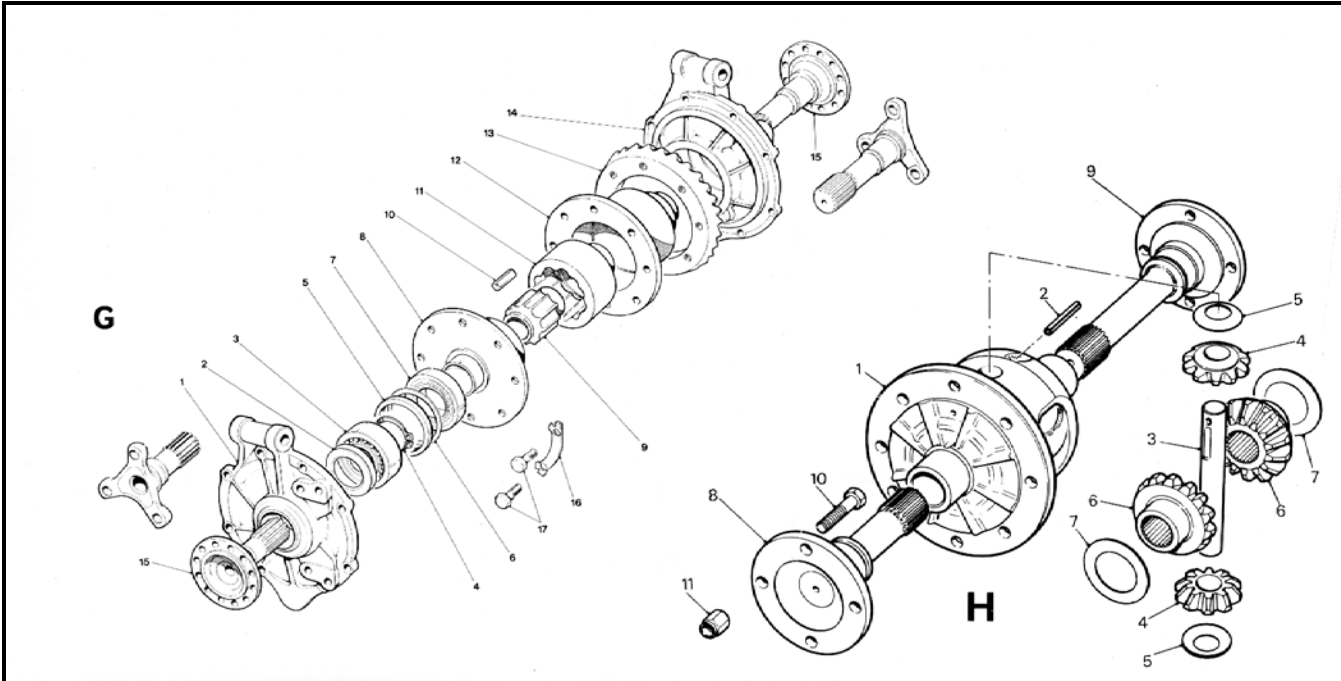


Hewland MK Differential Assembly



G PARTS

ITEM NUMBER	WRD NUMBER	HEWLAND NUMBER	DESCRIPTION	PRICE
1	WRD-HL-C9205C	HHC9-205-C	LH SIDE PLATE	\$689.00
1	WRD-WEB-028	HHC9-205-C	LH SIDE PLATE - WEBSTER	\$459.30
1	WRD-WEB-029		LH SIDEPLATE WEBSTER MK9	\$438.75
1	WRD-CMW-015		LH SIDEPLATE LOTUS - MK4	\$216.00
1	WRD-CMW-016		LH SIDEPLATE LOTUS - MK8	\$277.20
1	WRD-CMW-017		LH SIDEPLATE LOTUS - MK9	\$248.40
1	WRD-CMW-018		LH SIDEPLATE BRABHAM MK8	\$265.50
1	WRD-CMW-019		LH SIDEPLATE BRABHAM MK9	\$244.80
2	WRD-SIN-074	HHC9-2054A	OIL SEAL MK9	\$6.50
2	WRD-SIN-075	HFT2054	OIL SEAL MK4-8	\$7.25
3	WRD-SIN-076	HHC9-2053	DRIVE SHAFT BEARING MK9 DOUBLE ROW	\$60.00
3	WRD-SIN-077	HFT2053	DRIVESHAFT BEARING MK4-8	\$75.00
3	WRD-SIN-078	HFT2053A	DRIVE SHAFT BEARING MK9 SINGLE ROW	\$21.00
3A	WRD-SIN-079	HFT2052	CIRCLIP - DRIVE SHAFT BEARING MK4-8	\$3.00
4	WRD-SIN-080	HFT2191	CIRCLIP DRIVESHAFT MK8	\$1.25
4	WRD-SIN-081	HFT2191A	CIRCLIP DRIVESHAFT MK9	\$1.25
5	WRD-HL-C92052	HHC9-2052A	LH SPACER	\$25.00
5	WRD-WEB-030		LH SPACER - WEBSTER MK9	\$25.00
5	WRD-HL-C92062	HHC9-2062A	RH SPACER	\$28.00
5	WRD=WEB-031		RH SPACER - WEBSTER MK9	\$28.00



To Order Please Call - 1 858 578 1044 or Cell - 1 858 220 0927
Fax - 1 858 578 4101, E-mail : sales@willrace.com
Prices subject to change without notice

6	WRD-SIN-082(X)		SHIM DIFF BEARING - WEBSTER (VARIOUS)	\$2.25
6	WRD-SIN-083(X)		SHIM DIFF BEARING MK4-7 (VARIOUS)	\$2.25
6	WRD-SIN-084(X)	HFT2061	SHIM DIFF BEARING MK8 (VARIOUS)	\$2.25
6	WRD-SIN-085(X)	HHC9-2061	SHIM DIFF BEARING MK9 (VARIOUS)	\$2.25
7	WRD-SIN-086	HHC8-2051	DIFFERENTIAL BEARING MK8	\$45.00
7	WRD-SIN-087	HHC9-2051	DIFFERENTIAL BEARING MK9	\$62.00
7	WRD-SIN-088		DIFFERENTIAL BEARING WEBSTER	\$20.50
7	WRD-SIN-089		DIFFERENTIAL BALL BEARING MK4-6	\$90.00
7	WRD-SIN-090		DIFFERENTIAL BEARING MK4-7	\$42.00
8	WRD-HL-C8214	HHC8-214	PLUNGER CARRIER	\$872.00
9	WRD-HL-C8216	HHC8-216	INNER CAM TRACK	\$418.00
10	WRD-HL-FT217	HFT217	PLUNGER	\$37.00
11	WRD-HL-C8215	HHC8-215	OUTER CAM TRACK	\$739.00
12	WRD-HL-C8213	HHC8-213	OUTER HOUSING	\$655.00
13			RING + PINION VARIOUS	PAGE 13
14	WRD-HL-C9206C	HHC9-206-C	RH SIDE PLATE	\$689.00
14	WRD-WEB-033	HHC9-206-C	RH SIDE PLATE - WEBSTER	\$459.30
14	WRD-WEB-034		RH SIDEPLATE WEBSTER MK9	\$438.75
14	WRD-CMW-020		RH SIDEPLATE LOTUS - MK4 - CMW	\$253.80
14	WRD-CMW-021		RH SIDEPLATE LOTUS - MK8 - CMW	\$298.80
14	WRD-CMW-022		RH SIDEPLATE LOTUS - MK9 - CMW	\$287.10
14	WRD-CMW-023		RH SIDEPLATE BRABHAM MK8 - CMW	\$283.50
14	WRD-CMW-024		RH SIDEPLATE BRABHAM MK9 - CMW	\$277.20
15	WRD-HL-C9218R	HHC9-218-RH	RH DRIVE SHAFT CV JOINT	\$403.00
15	WRD-WEB-035	HHC9-218-RH	RH DRIVE SHAFT CV JOINT - WEBSTER	\$266.67
15	WRD-CMW-011	HHC9-218-RH	RH DRIVE SHAFT CV JOINT MK8/9 - CMW MANUFACTURE	\$240.00
15	WRD-CMW-010		RH DRIVE SHAFT U-JOINT MK4-7 - CMW MANUFACTURE	\$337.50
15	WRD-CMW-012	HHC8-218RH	RH DRIVE SHAFT U-JOINT MK8 - CMW MANUFACTURE	\$236.85
15		HHC9-218RH	RH DRIVE SHAFT U-JOINT MK9 - CMW MANUFACTURE	\$225.00
15	WRD-HL-C2918L	HHC9-218-LH	LH DRIVE SHAFT CV JOINT	\$403.00
15	WRD-WEB-036	HHC9-218-LH	LH DRIVE SHAFT CV JOINT - WEBSTER	\$266.67
15	WRD-CMW-005	HHC9-218-LH	LH DRIVE SHAFT CV JOINT MK8/9 - CMW MANUFACTURE	\$240.00
15	WRD-CMW-006		LH DRIVE SHAFT U-JOINT MK4-7 - CMW MANUFACTURE	\$337.50
15	WRD-CMW-008	HHC8-218LH	LH DRIVE SHAFT U-JOINT MK8 - CMW MANUFACTURE	\$236.85
15		HHC9-218LH	LH DRIVE SHAFT CV-JOINT MK9 - CMW MANUFACTURE	\$225.00
16	WRD-HL-C82212	HHC8-2212	TAB WASHER CROWN WHEEL	\$10.00
17	WRD-SIN-014	HFT2211	CROWNWHEEL BOLT	\$8.00

H PARTS

ITEM NUMBER	WRD NUMBER	HEWLAND NUMBER	DESCRIPTION	PRICE
1	WRD-HL-C82141	HHC82141	FREE DIFFERENTIAL HOUSING	\$675.00
2	WRD-SIN-091	HHC82147	ROLL PIN	\$0.75
3	WRD-HL-C82142	HHC82142	CROSS SHAFT	
4	WRD-HL-C82143	HHC8-2143	PLANET GEAR - OLD STYLE, STAFFS	
4	WRD-HL-C82143R	HHC8-2143-R	PLANET GEAR, LATEST SPEC	\$111.00
5	WRD-HL-C82146R	HHC8-2146-R	BEVEL WASHER, LATEST SPEC	\$3.50
6	WRD-HL-C82144	HHC8-2144	SIDE GEAR - EARLY	\$129.00
6	WRD-HL-C82144A		SIDE GEAR - LATE	\$99.00
7	WRD-SIN-092	HHC8-2145	WASHER- EARLY	\$4.25
7	WRD-SIN-093		WASHER - LATE	\$5.00
8			SEE PREVIOUS TABLE FOR DRIVE SHAFTS	
9			SEE PREVIOUS TABLE FOR DRIVE SHAFTS	
10			DRIVE SHAFT BOLT - VARIOUS - PLEASE SPEC	CALL
11	WRD-SIN-094		NUT	\$1.25