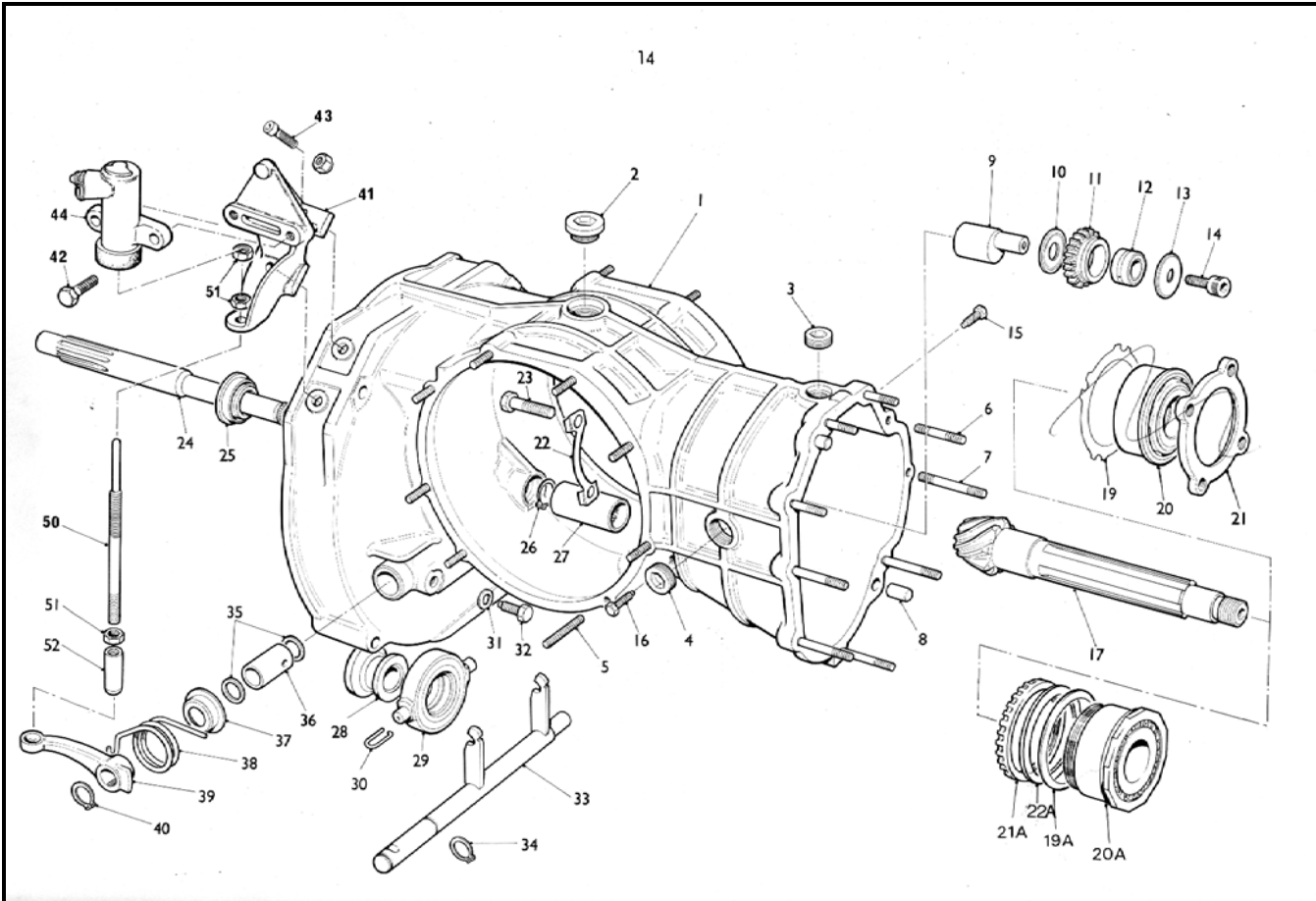


Hewland Mk Series Maincase Assembly



ITEM NUMBER	WRD NUMBER	HEWLAND NUMBER	DESCRIPTION	PRICE
1	WRD-HL-C201	HHC201	MAINCASE 4 BOLT	CALL
1	WRD-HL-C8201	HHC8201	MAINCASE RING NUT PIN. BRG	CALL
2,3,4	WRD-HL-C2011	HHC2011	PLUG	\$7.50
4	WRD-HL-C2011A	HHC2011A	PLUG MAGNETIC	\$14.00
5	WRD-SIN-095	HHC2012	STUD	\$2.25
6	WRD-SIN-096	HHC2014	STUD BEARING CARRIER - SHORT	\$2.25
7	WRD-SIN-097	HHC2014A	STUD BEARING CARRIER - LONG	\$2.25
8	WRD-SIN-098	HHC2015	DOWEL	\$13.00
9	WRD-HL-C2373	HHC2373	REVERSE IDLER SPIGOT	\$111.00
9	WRD-WEB-037	HHC2373	REVERSE IDLER SPIGOT-WEBSTER	\$57.33
10	WRD-HL-C2374	HHC2374	WASHER GROOVED	\$67.00
10	WRD-WEB-038	HHC2374	WASHER GROOVED - WEBSTER	\$27.50
11	WRD-WEB-039	HHC5-2371	GEAR, REVERSE IDLER MK5 16 TEETH - WEBSTER	\$142.00
11	WRD-HL-C2371	HHC2371	GEAR, REVERSE IDLER	\$142.00
11	WRD-WEB-040	HHC2371	GEAR, REVERSE IDLER - WEBSTER	\$78.33
12	WRD-SIN-099	HHC2372	BEARING	\$35.00
13	WRD-HL-C2374B	HHC2374B	WASHER	\$56.00
13	WRD-WEB-041	HHC2374B	WASHER - WEBSTER	\$16.67



To Order Please Call - 1 858 578 1044 or Cell - 1 858 220 0927
Fax - 1 858 578 4101, E-mail : sales@willrace.com
Prices subject to change without notice

14	WRD-SIN-100	HHC2375	BOLT 5/16"-24	\$1.25
15	WRD-SIN-101	HHC2376	BOLT	\$0.25
16	WRD-SIN-102	HHC2342	BOLT - 35mm BEARING	\$3.00
17	WRD-HL-C8221	HHC8-221	7:31 RING & PINION	\$1,449.00
17	WRD-HL-C8221A	HHC8-221-A	9:31 RING & PINION	\$1,449.00
17	WRD-HL-C8221B	HHC8-221-B	8:31 RING & PINION	\$1,449.00
17	WRD-HL-C8221C	HHC8-221-C	10:31 RING & PINION	\$1,449.00
17	WRD-HL-C8221M	HHC8-221-M	13:36 RING & PINION	\$1,449.00
17	WRD-WEB-042	HHC8-221-A	9:31 RING & PINION - WEBSTER	\$1,090.00
17	WRD-WEB-043	HHC8-221-B	8:31 RING & PINION - WEBSTER	\$1,090.00
17	WRD-WEB-044	HHC8-221-C	10:31 RING & PINION - WEBSTER	\$1,090.00
19	WRD-SIN-103	HHC2253	CLAMP PLATE SHIM - VARIOUS	\$3.00
19A	WRD-SIN-104	HHC8-2222	SHIM	\$2.25
19A	WRD-SIN-104-A	HHC8-2222-003	PINION SHIM .003	\$2.25
19A	WRD-SIN-104-B	HHC8-2222-005	PINION SHIM .005	\$2.25
19A	WRD-SIN-104-C	HHC8-2222-008	PINION SHIM .008	\$2.25
19A	WRD-SIN-104-D	HHC8-2222-010	PINION SHIM .010	\$2.25
19A	WRD-SIN-104-E	HHC8-2222-012	PINION SHIM .012	\$2.25
19A	WRD-SIN-104-F	HHC8-2222-015	PINION SHIM .015	\$2.25
19A	WRD-SIN-104-G	HHC8-2222-020	PINION SHIM .020	\$2.25
19A	WRD-SIN-104-H	HHC8-2222-024	PINION SHIM .024	\$2.25
20	WRD-SIN-105	HFT2221HB	PINION BEARING	\$65.00
20A	WRD-SIN-106	HHC8-2221HB	PINION BEARING, NEW STYLE	\$180.00
21	WRD-HL-C225	HHC225	CLAMP PLATE	\$113.00
21	WRD-WEB-045	HHC225	CLAMP PLATE - WEBSTER	\$92.00
21A	WRD-SIN-107	HHC8-2221A	RING NUT	\$36.00
22	WRD-HL-C2252	HHC2252	TAB WASHER	\$3.25
22A	WRD-SIN-108	HHC8-2222A	SPACER	\$7.50
23	WRD-SIN-109	HHC2251	BOLT	\$0.75
24	WRD-HL-C23917	HHC23917	CLUTCH SHAFT (2000)	\$483.00
24	WRD-HL-C23933	HHC23933	RALT INPUT SHAFT	\$483.00
24	WRD-HL-C23937	HHC23937	INPUT SHAFT (SWIFT F.F.)	\$483.00
24	WRD-HL-C2394	HHC2394	CLUTCH SHAFT F/F	\$483.00
24	WRD-HL-C23953	HHC23953	CLUTCH SHAFT, T87/88/89/9090 S	\$483.00
24	WRD-HL-C2396	HHC2396	CLUTCH SHAFT	\$483.00
25	WRD-SIN-110	HHC24411	SEAL	\$6.50
26	WRD-SIN-111	HHC2390	CLUTCH SHAFT CIRCLIP	\$0.75
27	WRD-HL-C2364	HHC2364	SLEEVE	\$113.00
27	WRD-WEB-046	HHC2364	SLEEVE - WEBSTER	\$58.00
28	WRD-HL-C245	HHC245	BOBBIN-VARIOUS	CALL
29	WRD-SIN-112	HHC245A	CLUTCH RELEASE BEARING	\$27.50
30	WRD-SIN-113	HHC24512	RETAINING CLIP	\$1.00
32	WRD-SIN-114	HHC2542	BOLT 16mm CROSS SHAFT	\$4.00
32	WRD-SIN-115	HHC2542	BOLT 20mm CROSS SHAFT	\$3.00
33	WRD-HL-C254	HHC 254	CROSS SHAFT 16mm	\$16.50
33	WRD-HL-C254	HHC254	CROSS SHAFT 20mm	\$65.00
34,40	WRD-SIN-116	HHC2546	CIRCLIP	\$0.75
34,40	WRD-SIN-117	HHC2546	CIRCLIP 20mm	\$0.75
35	WRD-SIN-118	HHC 2543	WASHER	\$0.50
35	WRD-SIN-119	HHC2543	WASHER 20mm	\$0.50
36	WRD-SIN-120	HHC9-2541	BUSHING 20mm	\$18.00
36	WRD-SIN-121		BUSHING 16mm	\$18.00
36A	WRD-SIN-122		BUSHING 20mm - OTHER END	\$5.00
36A	WRD-SIN-123		BUSHING 16mm - OTHER END	\$5.00
37	WRD-SIN-124	HHC2544	SPRING CAP	\$8.00
37	WRD-SIN-125		SPRING CAP 20mm	\$8.00
38	WRD-SIN-126	HHC2545	SPRING	\$4.00
39	WRD-HL-C2547	HHC2547	LEVER	\$93.00
39	WRD-HL-C2547A	HHC2547	LEVER 20mm	\$77.00
41	WRD-HL-C82587	HHC8-2587	SLAVE CYLINDER BRACKET	\$163.00
42	WRD-SIN-127	HFT2583	BOLT	\$0.25
43	WRD-SIN-128	HHC8-2583	MOUNTING BOLTS	\$0.25
44	WRD-SIN-129	HFT2582	SLAVE CYLINDER	\$116.00
50	WRD-HL-C8258	HHC8-258	PUSH ROD (SAME AS HC258)	\$67.00
51	WRD-SIN-130	HHC2581	NUT	\$0.25
52	WRD-HL-C259	HHC259	NOSE PIECE PUSH ROD	\$37.00