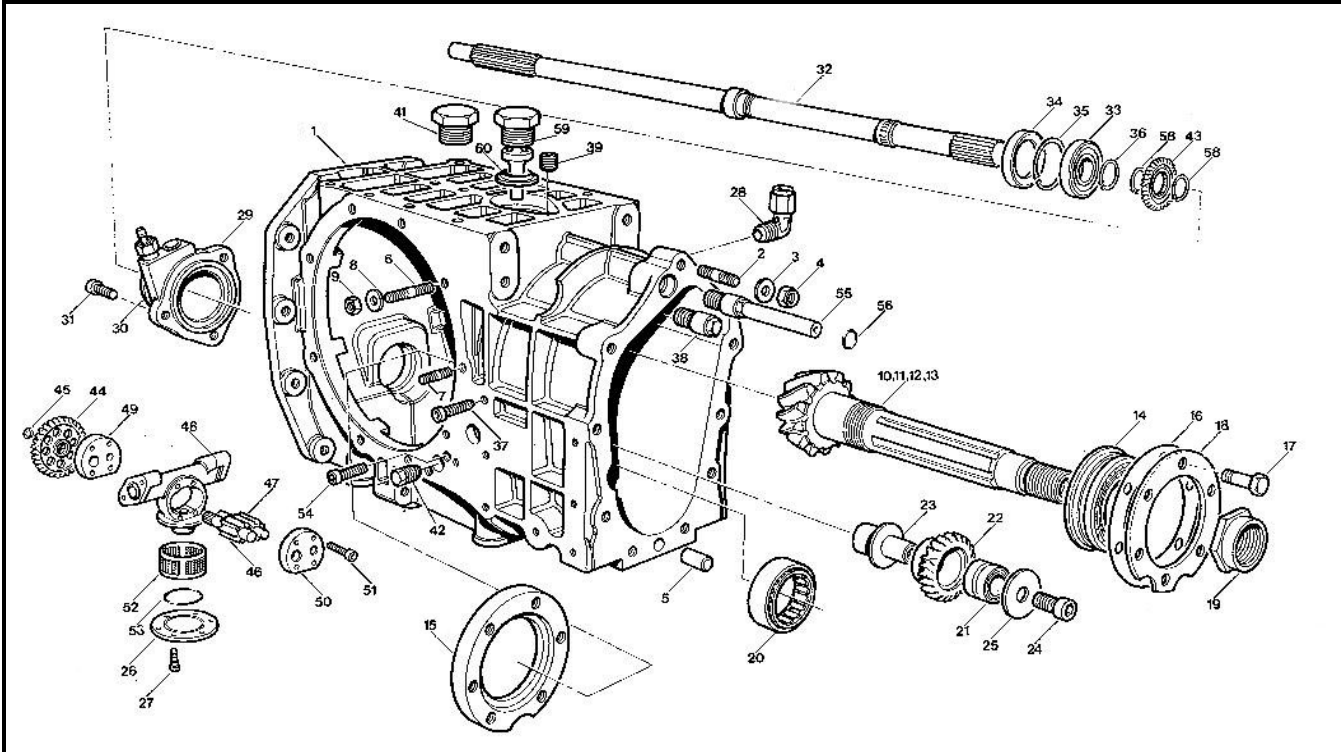


Staffs SM86/10 Maincase Assembly



ITEM NUMBER	DESCRIPTION	WRD NUMBER	PRICE
1	ALUMINIUM MAINCASE	WRD-SMT-0136	\$1250.00
1	MAGNESIUM MAINCASE - SINGLE SIDEPLATE	WRD-SMT-0155	\$2630.00
2	STUD	WRD-SMT-0117	\$2.25
3	WASHER	WRD-SMT-0111	\$0.05
4	NUT	WRD-SMT-0112	\$0.25
5	DOWEL	WRD-SMT-0113	\$17.68
6	SIDEPLATE STUD	WRD-SMT-0117	\$2.25
7	SIDEPLATE STUD	WRD-SMT-0117	\$2.25
8	WASHER	WRD-SMT-0108A	\$0.05
9	NUT	WRD-SMT-0109	\$0.25
10	12:33 CROWNWHEEL AND PINION - 1.9 MOUNT LS DIFF	WRD-SMT-0301/2	\$1075.00
11	12:32 CROWNWHEEL AND PINION - 1.9 MOUNT LS DIFF	WRD-SMT-0307/8	\$1075.00
12	9:31 CROWNWHEEL AND PINION - 1.8 MOUNT FREE DIFF	WRD-SMT-0303/4	\$1075.00
13	10:31 CROWNWHEEL AND PINION - 1.8 MOUNT DIST	WRD-SMT-0305/6	\$1075.00
-	9:31 CROWNWHEEL AND PINION - 1.9 MOUNT LS DIFF (FA)	WRD-SMT-0329/32	\$1075.00
-	9:35 CROWNWHEEL AND PINION - 1.9 MOUNT LS DIFF (FA)	WRD-SMT-0375/76	\$1075.00
14	PINION BEARING	WRD-SMT-0309	\$97.00
14	PINION BEARING-OILED FA	WRD-SMT-0309A	\$235.00
15	PINION BEARING RET RING	WRD-SMT-0321	\$60.20



To Order Please Call - 1 858 578 1044 or Cell - 1 858 220 0927
Fax - 1 858 578 4101, E-mail : sales@willrace.com
Prices subject to change without notice

16	PINION BEARING SHIM (0.003")	WRD-SMT-0322A	\$5.85
16	PINION BEARING SHIM (0.005")	WRD-SMT-0322B	\$5.85
16	PINION BEARING SHIM (0.007")	WRD-SMT-0322C	\$5.85
16	PINION BEARING SHIM (0.010")	WRD-SMT-0322D	\$5.85
16	PINION BEARING SHIM (0.012")	WRD-SMT-0322E	\$5.85
16	PINION BEARING SHIM (0.015")	WRD-SMT-0322F	\$5.85
16	PINION BEARING SHIM (0.020")	WRD-SMT-0322G	\$5.85
16	PINION BEARING SHIM (0.025")	WRD-SMT-0322H	\$5.85
17	PINION BEARING BOLT	WRD-SMT-0323	\$0.79
18	BOLT RING WASHER	WRD-SMT-0324	\$28.25
19	LOCK RING	WRD-SMT-0319	\$43.00
20	INPUT SHAFT BEARING	WRD-SMT-0311	\$35.00
21	REVERSE IDLER BEARING	WRD-SMT-0501	\$27.00
22	REVERSE IDLER GEAR	WRD-SMT-0517	\$85.00
23	REVERSE IDLER SPIGOT	WRD-SMT-0518	\$50.00
24	GEAR BOLT	WRD-SMT-0519	\$0.75
25	GEAR RET WASHER	WRD-SMT-0520	\$18.00
26	FILTER PLATE	WRD-SMT-0610	\$24.90
27	PLATE BOLTS	WRD-SMT-0613	\$0.40
28	-6 FITTING	WRD-SMT-0614	\$29.08
29	CLUTCH SLAVE CYLINDER	WRD-SMT-0701	\$88.00
30	CLUTCH RELEASE BEARING	WRD-SMT-0702	\$22.00
31	BOLT CLUTCH SLAVE CYLINDER	WRD-SMT-0703	\$1.25
32	CLUTCH SHAFT STD	WRD-SMT-0801	\$595.00
33	CLUTCH SHAFT BRG	WRD-SIN-188	\$22.00
34	CLUTCH SHAFT SEAL	WRD-SMT-0803	\$7.50
35	INTERNAL CIRCLIP	WRD-SIN-187	\$1.25
36	EXTERNAL CIRCLIP	WRD-SIN-186	\$0.75
37	RET BOLT	WRD-SMT-0530	\$2.75
38	TOP DOWEL 4 SPEED	WRD-SMT-0629	\$24.90
39	1/8" BSP BLANKING SCREW	WRD-SMT-0625	\$1.11
41	BLANKING PLUG	WRD-SMT-0615	\$16.70
42	BLANKING PLUG 4 SPEED	WRD-SMT-0632	\$2.75
43	OIL PUMP DRIVING GEAR	WRD-SMT-0601	\$172.50
44	OIL PUMP GEAR	WRD-SMT-0602	\$198.50
45	PUMP GEAR CIRCLIP	WRD-SMT-0627	\$0.50
46	OIL PUMP DRIVING ROTOR	WRD-SMT-0603	\$115.00
47	OIL PUMP IDLER ROTOR	WRD-SMT-0604	\$93.40
48	OIL PUMP BODY	WRD-SMT-0605	\$286.77
49	FRONT COVER	WRD-SMT-0606	\$60.00
50	REAR COVER	WRD-SMT-0607	\$60.00
51	PUMP BODY BOLTS	WRD-SMT-0608	\$1.25
52	FILTER GAUZE	WRD-SMT-0609	\$66.20
53	O' RING	WRD-SMT-0612	\$1.24
54	PUMP MOUNTING BOLTS	WRD-SMT-0616	\$0.82
55	DOWEL / OIL FEED	WRD-SMT-0623	\$47.65
56	OIL FEED 'O' RING	WRD-SMT-0624	\$0.25
58	PUMP GEAR CIRCLIP	WRD-SMT-0806	\$1.25
59	PINION HEAD SQRTER	WRD-SMT-0620	\$44.19
60	PINION HEAD SQUIRTER DOWTY WASHER	WRD-SMT-0526	\$2.25
	OIL PUMP SPACER	WRD-SMT-0635	\$19.50
	OIL PUMP SPACER	WRD-SMT-0636	\$19.50